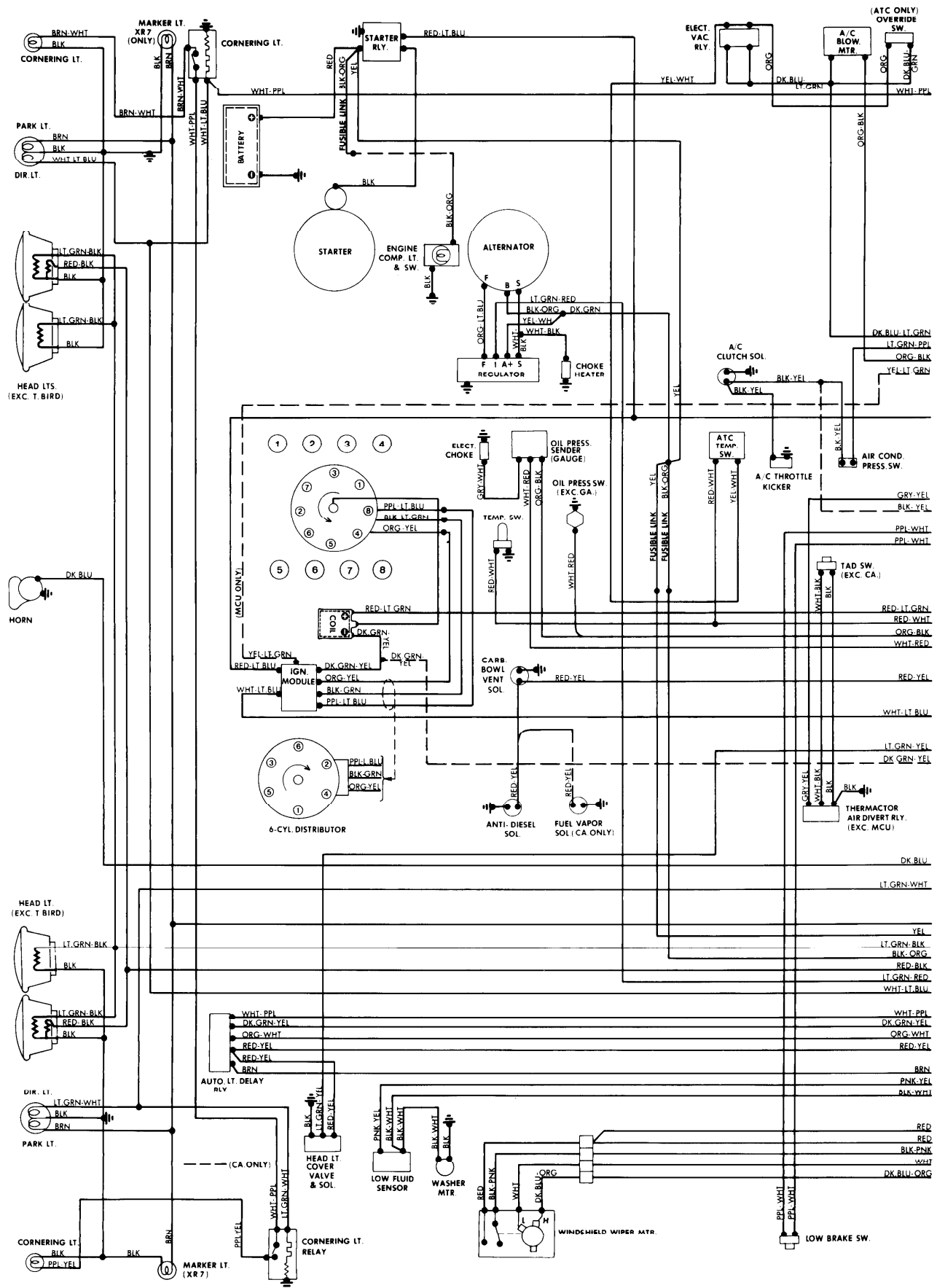
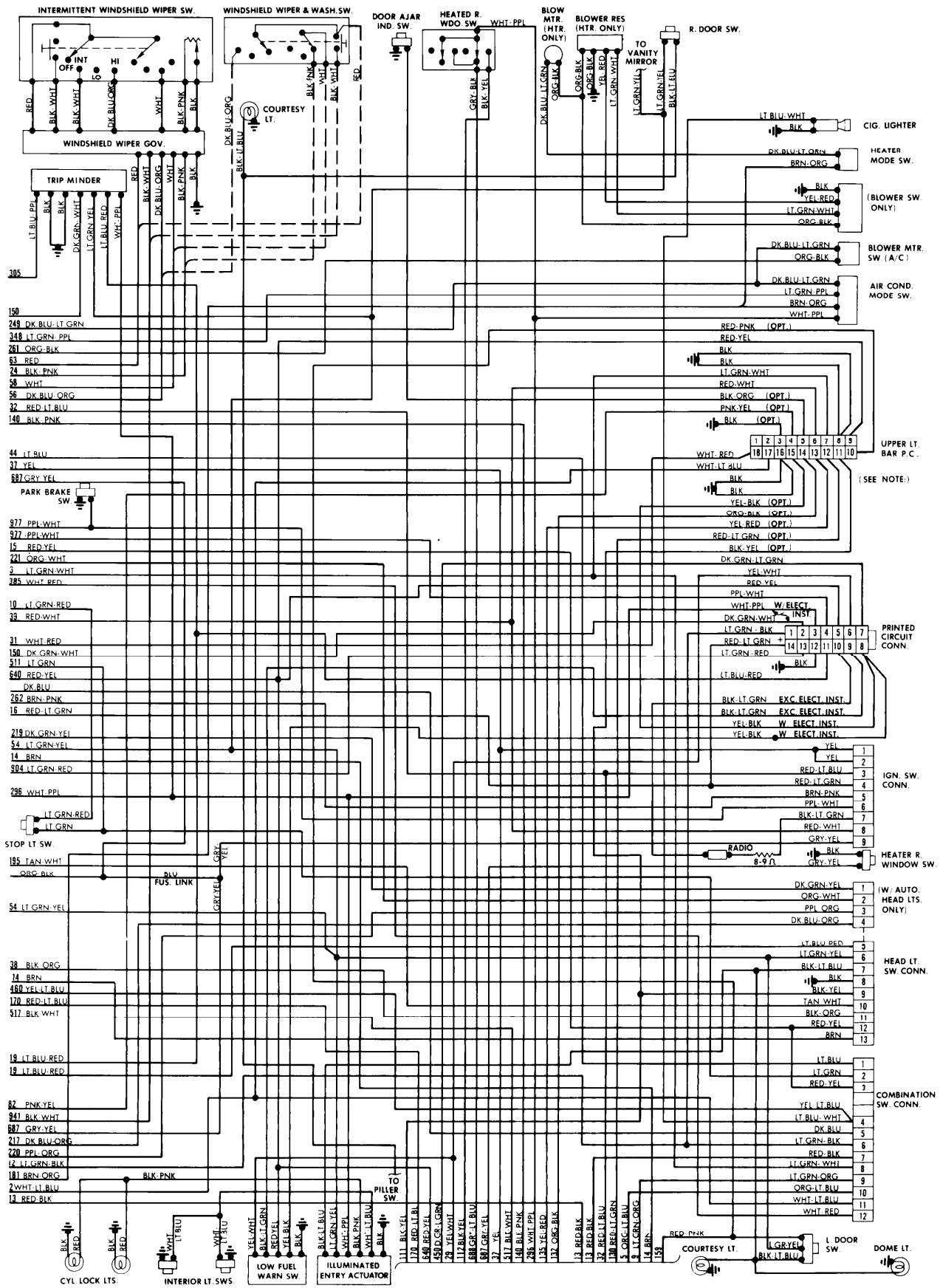


ENGINE COMPARTMENT



INSTRUMENT PANEL & UNDERDASH



REAR COMPARTMENT & ACCESSORIES

WIRING DIAGRAMS

